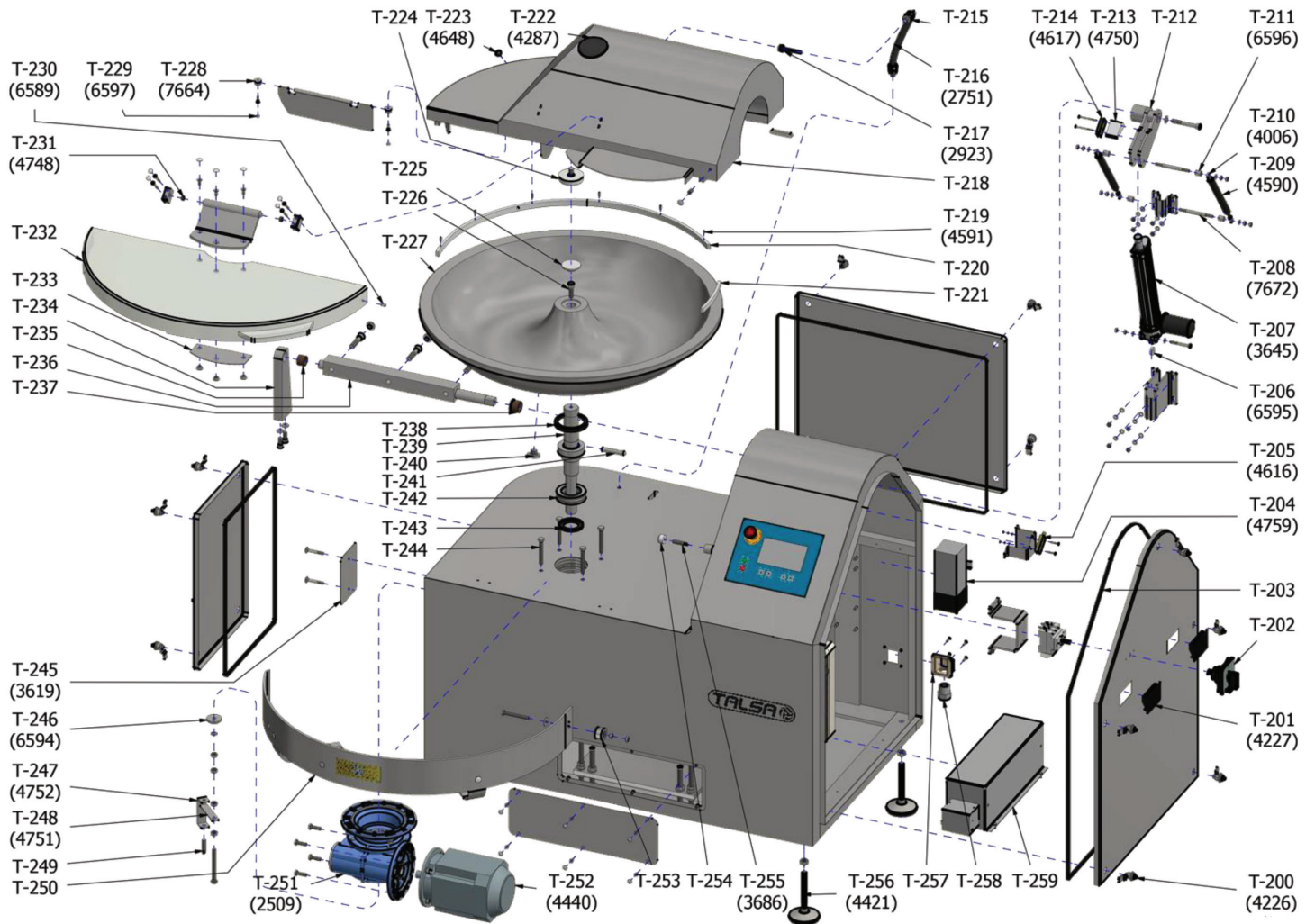


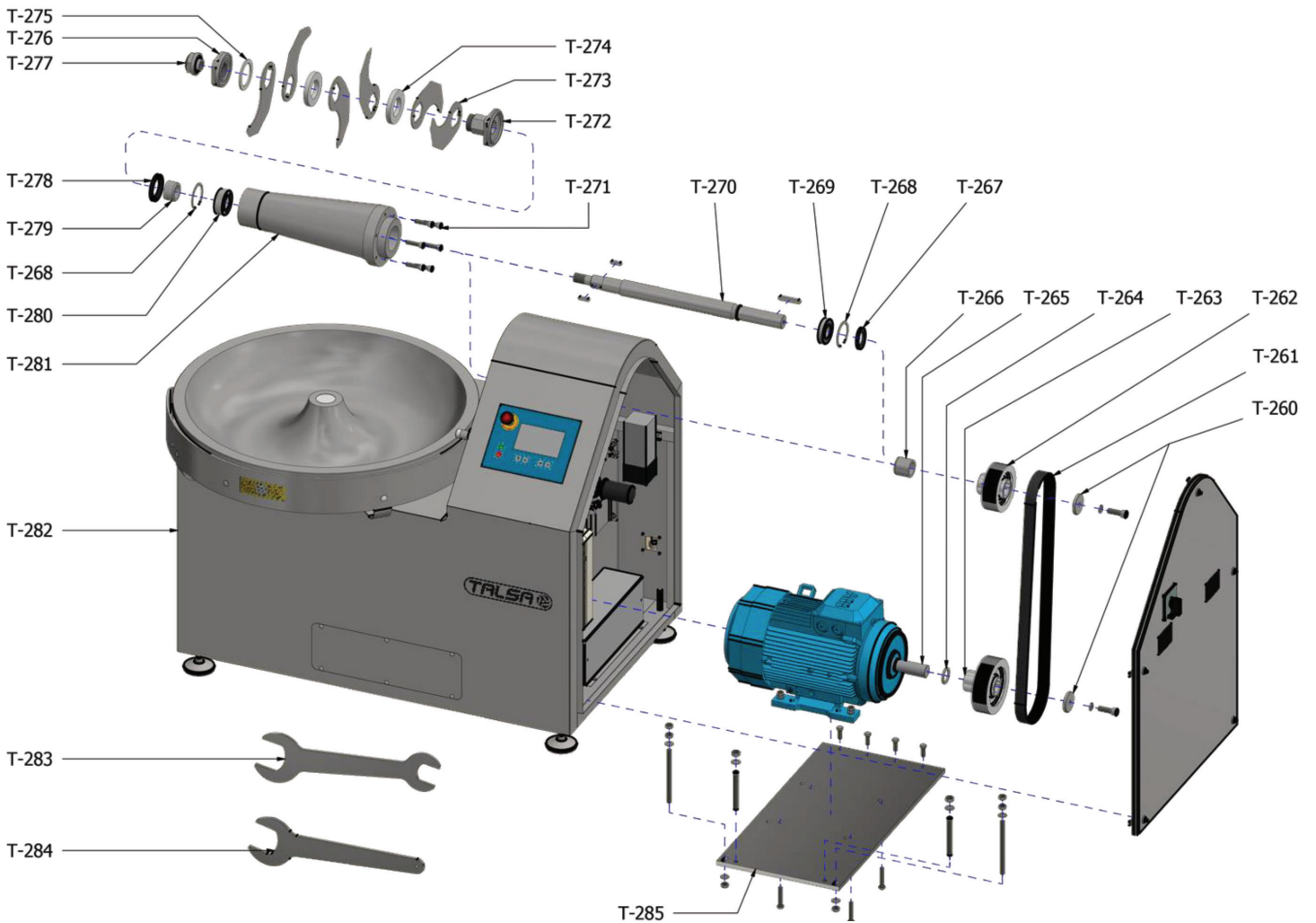
# Parts Breakdown

Model FP-ES-0050 10879



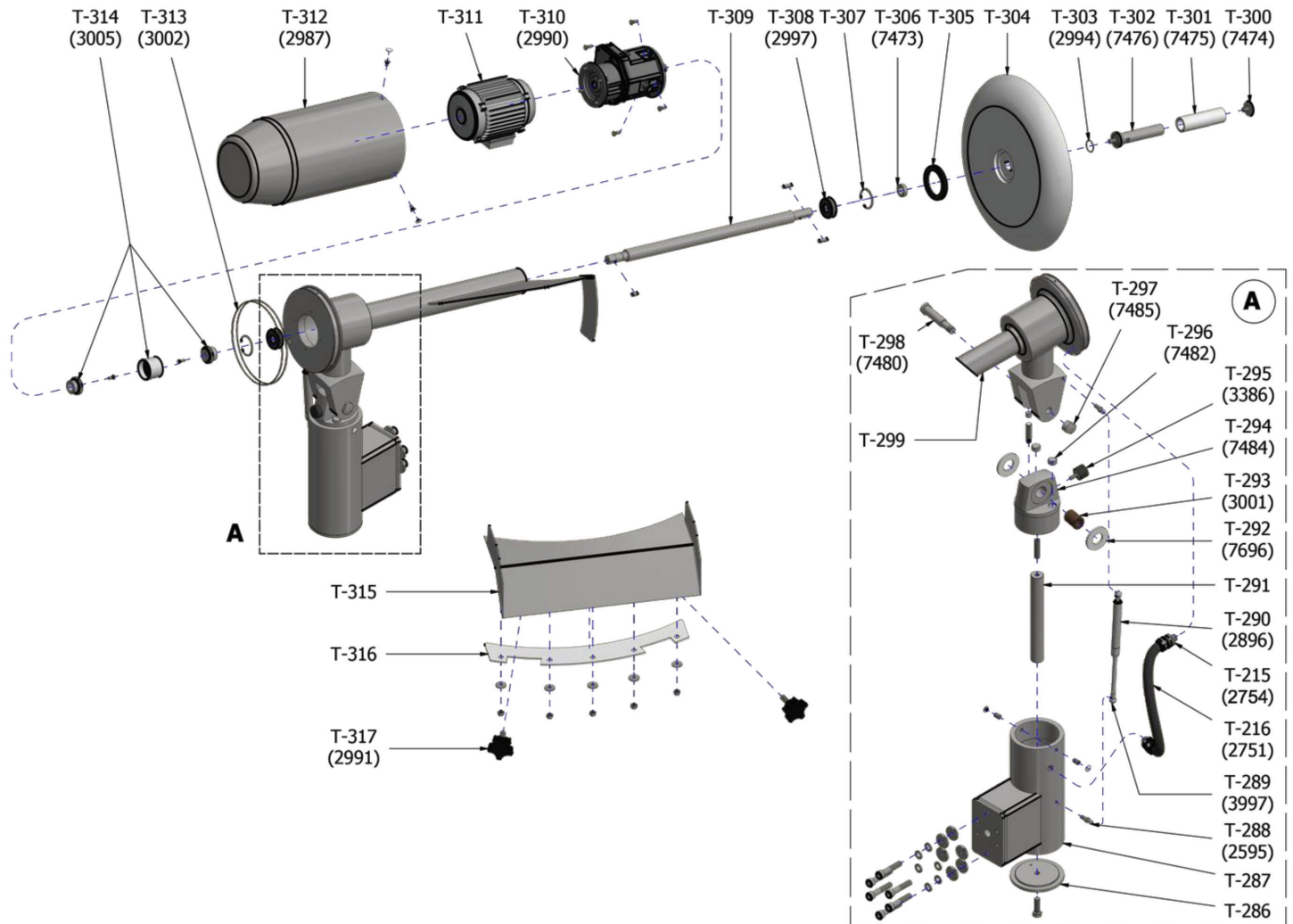
# Parts Breakdown

Model FP-ES-0050 10879



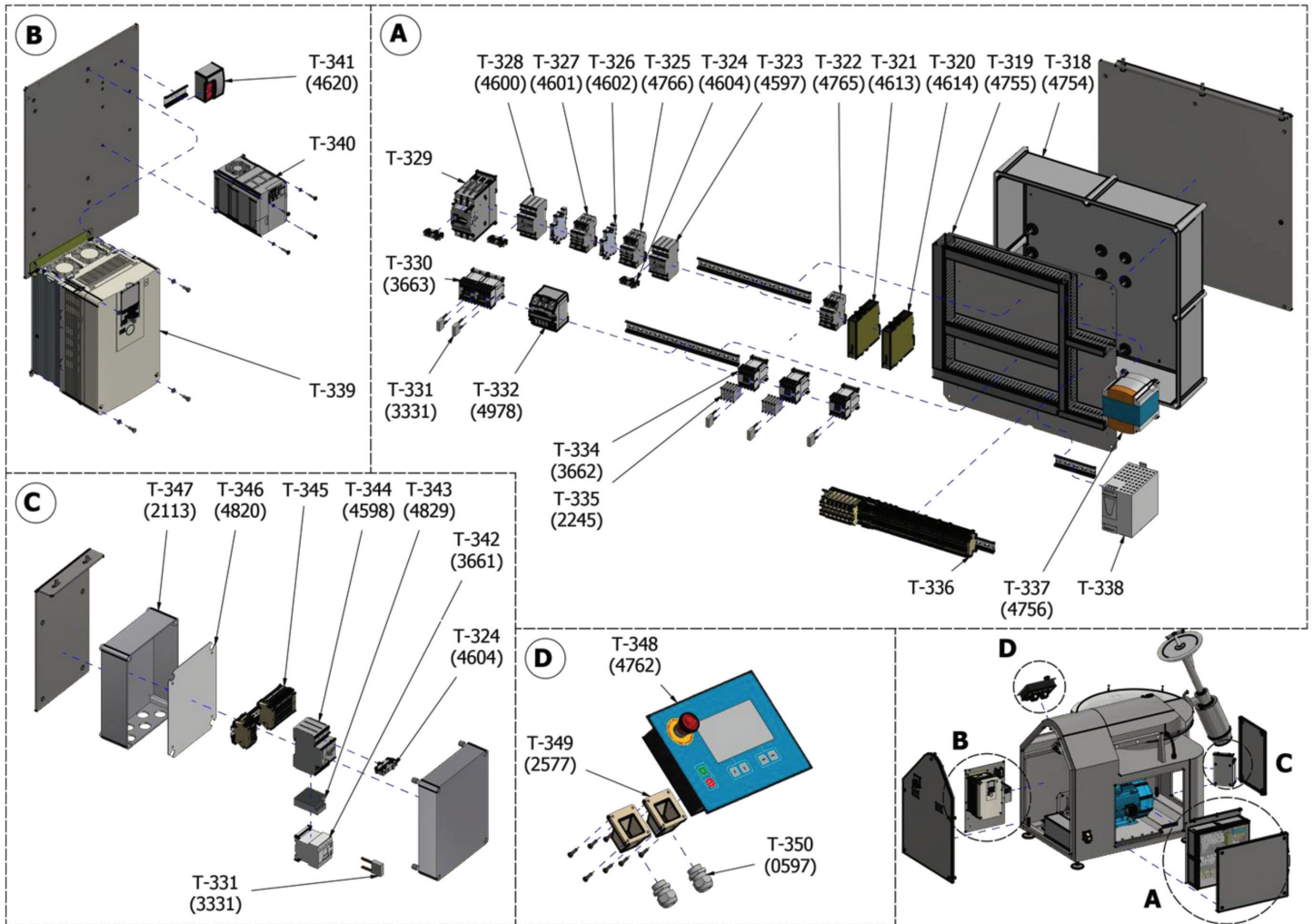
# Parts Breakdown

Model FP-ES-0050 10879



# Parts Breakdown

Model FP-ES-0050 10879



# Parts Breakdown

## Model FP-ES-0050 10879

Item No.	Description	Position	Item No.	Description	Position	Item No.	Description	Position
AE209	Rotating Closure, Stainless Steel, Hygienic for 10879	T-200	AE227	Cover, Knife Lid Flap Holder for 10879	T-229	AE244	Toothed Belt, Poly-V Multi-Rib for 10879	T-261
AE210	Handle for Hatches, Black for 10879	T-201	AE228	Metal Counterpart for Inductive Sensor, Noise Protection Cover for 10879	T-230	AE245	Toothed Belt, Poly-V Multi-Rib for 10879	T-261
AE211	Switch, 3-Phase 80A for 10879	T-202	AE229	Brass Bushing for 10879	T-231	AE246	Pulley, Poly-V Knife-Shaft for 10879	T-262
AE212	Edge Profile, U, 2mm EPDM Black (Access Hatch) for 10879	T-203	AE230	Noise Protection Cover, Transparent Plastic for 10879	T-232	AE247	Pulley, Poly-V Motor for 10879	T-263
AE213	Electric Heater with Ventilation 250W IP20 for 10879	T-204	36286	Lower Hinge Holder, Noise Protection Cover, Stainless Steel for 10879	T-233	AE248	Pulley, Poly-V Motor for 10879	T-263
AD435	Detector ABB ADAM for 10879	T-205	36279	Knife Lid Shaft Holder, AISI304 for 10879	T-234	AE249	Ring, Knife Motor for 10879	T-264
AE214	Aluminum Washer for Lid Lifter for 10879	T-206	36278	Brass Bushing, Lid Shaft, Holder for 10879	T-235	AE250	Ring, Knife Motor for 10879	T-264
36409	Linear Knife Lid Lifter for 10879	T-207	AE231	Square Shaft, Knife Lid, Stainless Steel for 10879	T-236	AE251	Knife Motor for 10879	T-265
36410	Cam Shaft, Knife Lid for 10879	T-208	36275	Brass Bushing, Lid Shaft, Cabinet for 10879	T-237	36239	Socket, Knife-Pulley for 10879	T-266
AE215	Air Piston for 10879	T-209	AE232	Gasket, Bowl Shaft, Top for 10879	T-238	36303	Gasket, Knife-Shaft, Pulley Side for 10879	T-267
AE216	Mounting Holder Air Piston for 10879	T-210	AE233	Bowl Shaft Gearbox Drive, AISI303 for 10879	T-239	36266	Circlip, Black for 10879	T-268
AE217	Socket Axis Cam, Knife Lid AISI303 for 10879	T-211	AE234	Bowl Drain Plug, Stainless Steel for 10879	T-240	36267	Bearing, Pulley Side for 10879	T-269
AE218	Welded Lid Lever for 10879	T-212	AD440	Pin, Gearbox Shaft, Bowl for 10879	T-241	AE252	Knife-Shaft, Stainless Steel for 10879	T-270
AE219	Extension for Detector for 10879	T-213	AE235	Stainless Steel Hexagonal Screw, Bowl Gearbox for 10879	T-244	AE253	Allen Screw with Hole (Knife Shaft), Stainless Steel for 10879	T-271
AD433	Detector ABB EVA for 10879	T-214	AD461	Washer, Bowl Shaft, AISI303 for 10879	T-246	AE254	Hexagonal Holder for Knives, Counter Clockwise, Stainless Steel for 10879	T-272
AD445	Grommet, Grey for 10879	T-215	AE236	Sub-Panel, Inductive Bowl Sensor for 10879	T-247	36283	Cutter Knife, 4 Cutting Edges, Flat for 10879	T-273
36158	Protection Tube Reforced for Probe Cable for 10879	T-216	AE237	Panel, Inductive Bowl Sensor for 10879	T-248	AE255	Spacer Ring, White, 3 Knives for 10879	T-274
36156	Stainless Steel Probe, 3M Cable for Digital Thermometer for 10879	T-217	AE238	Inductive Bowl Sensor for 10879	T-249	AE256	Spacer Ring, White, 6 Knives for 10879	T-274
AE220	Stainless Steel Knife Lid for 10879	T-218	AE239	Front Bowl Guard, Stainless Steel for 10879	T-250	AE257	Knife Holding Ring Nut, White Armité for 10879	T-275
AD443	Spring Positioner (Friction Band) for 10879	T-219	36263	Gearbox, Bowl for 10879	T-251	36284	Knife Fixing Nut, Counter Clockwise, 4-Surface, Stainless Steel for 10879	T-276
AE221	Main Bowl-Lid Friction Band for 10879	T-220	AE240	Bowl Motor, 230/400V-50HZ 1,5KW for 10879	T-252	36285	Blocked Nut, End of Knife Shaft, Counter Clockwise, Stainless Steel for 10879	T-277
AE222	Minor Bowl-Lid Friction Band for 10879	T-221	36301	Spacer, Front Bowl Guard, Stainless Steel for 10879	T-253	36265	Gasket, Bearing Knife-Shaft, Knife Side for 10879	T-278
AE223	Noise Protection Cover Stop, Black Rubber for 10879	T-222	36271	Plastic Cover for Inductive Detector, Noise Protection Cover for 10879	T-254	36270	Socket, Knife Holder, Stainless Steel for 10879	T-279
76716	Friction Band Removing Knob for 10879	T-223	36330	Inductive Sensor, Noise Protection Cover for 10879	T-255	36267	Bearing, Knife Side for 10879	T-280
AE224	Knife Lid - Bowl Stop for 10879	T-224	AE241	Foot, Stainless Steel for 10879	T-256	AE258	Knife Shaft Torpedo, Stainless Steel, without Accessories for 10879	T-281
AD446	Cover for Center Bowl Screw for 10879	T-225	AD451	Angular Grommet, 90°, Grey (Cord Supply) for 10879	T-257	AE259	Machine Cabinet with Access Panel + Base + Accessories for 10879	T-282
AE225	Allen Screw Bowl Center, Stainless Steel for 10879	T-226	AD452	Threaded Grommet, Grey for 10879	T-258	36222	Spanner/Wrench, Knife Removal, Combined for 10879	T-283
AE226	Bowl, Cast Stainless Steel for 10879	T-227	AE242	Breaking Resistor for Electronic Drives for 10879	T-259	36223	Spanner/Wrench, Knife Removal, Large for 10879	T-284
36412	Holder, Knife Lid Flap for 10879	T-228	AE243	Washer for Pulleys, Motor and Knife Shaft for 10879	T-260	AE260	Motor Platform for 10879	T-285

# Parts Breakdown

## Model FP-ES-0050 10879

Item No.	Description	Position	Item No.	Description	Position	Item No.	Description	Position
AE261	Isolating Box, Modular, Transparent Cover for 10879	T-318	AE267	Circuit Breaker-Motor Protection 8A for 10879	T-328	AE274	Power Supply 10A 24V for Machines 3*200/240V 50/60Hz for 10879	T-338
AE262	Base Plate for Isolating Box for 10879	T-319	AE268	Circuit Breaker-Motor Protection 63A for 10879	T-329	AE275	Electronic Drive for Knife Motor for 10879	T-339
AD470	Safety Relay ABB Sentry SR42 for 10879	T-320	36315	Contact, DC24V 3W 6A for 10879	T-330	AE276	Electronic Drive for Bowl Motor for 10879	T-340
AE263	Safety Relay ABB Sentry SR10 for 10879	T-321	AE269	Antiparasite Block, AC-DC24/48V (Contact) for 10879	T-331	AD429	Hygro-Thermostat 240V IP20 for 10879	T-341
AE264	Thermal Magnetic Circuit Breaker 2P 4A for 10879	T-322	AE270	4-Channel Electronic Circuit Switch 24VDC/1-2-4-6A for 10879	T-332	AE277	Terminal Blocks, Unloader Arm for 10879	T-345
AE265	Circuit Breaker-Motor Protection 2.5A for 10879	T-323	36314	Contact, DC24V 2W 1B 6A for 10879	T-334	AE278	Control Panel with Touch Screen for 10879	T-348
AD474	Camara for Auxiliary Contacts for 10879	T-324	36227	2 Auxiliary Contacts for 10879	T-335	AD451	Angular Grommet, 90°, Grey (Cord Supply) for 10879	T-349
AD468	Thermal Magnetic Circuit Breaker 2P 2A for 10879	T-325	AE271	Terminal Blocks Main Panel for 10879	T-336	AD452	Theaded Grommet, Grey for 10879	T-350
AD469	Auxiliary Contact 6A for 10879	T-326	AE272	Transformer, PRI 400/230V SEC 110/230V for 10879	T-337			
AE266	Thermal Magnetic Circuit Breaker 2P 10A for 10879	T-327	AE273	Power Supply 10A 24V for Machines 3*400/380V 50/60Hz for 10879	T-338			